
Optical Unit

Table 49-2. Optical Unit Parts

Item	Description	Part Number
1	Gasket Cell Cover	79881-07103
2	Screw M3×0.5 6lg	0515-0924
3	Optical Unit Cover	79881-64101
4	ADA Cable Assembly	79881-61602
5	Reference Diode Assembly	79881-60007
6	Lamp Assembly	79880-60002
7	Filter Cover	79881-04103
8	Screw M4×0.7 12lg	0515-0885
9	Optical Unit ¹	79880-69004
10	Cell Assembly	79881-60002
11	Filter Wheel Motor	79881-02401
12	Filter Assembly 210nm	79881-62761
	230nm	79881-62762
	254nm	79881-62763
	269nm	79881-62769
	280nm	79881-62764
	340nm	79881-62765
	430nm	79881-62766
	540nm	79881-62767
13	Sample Diode Assembly	79881-60006
14	Wheel Assembly	79881-62501
15	Leak Sensor	79880-61602
16	Screw M4×0.7 8lg	0515-0553
17	Screw M3×0.5 10lg	0515-0537
	Light Isolator Fixture ²	79881-20010

¹ Items 4, 6, 12 not included.

² This is present on newer detectors and allows operation with cell door open.

Note

Lens and beam splitter are not field replaceable.

Filter Photometric Detector

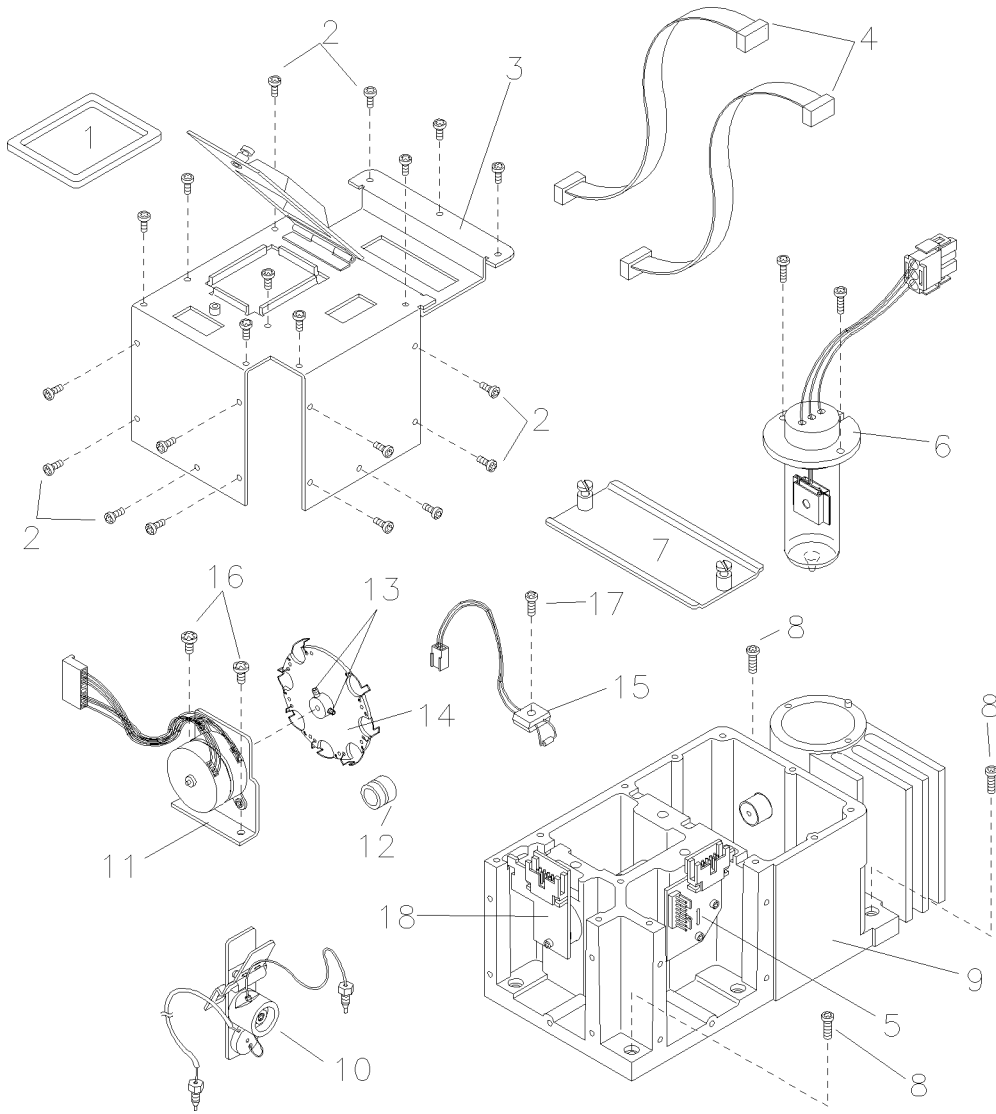


Figure 49-2. Exploded View Optical Unit